

BDstor-3610E



The **BDstor-3610E** is the latest addition to CUC's growing lineup of new Blu-ray Optical Disc Archive system solutions. A scalable Enterprise-class robotic library solution, the **BDstor-3610E** is designed for medium to large Enterprise systems where digital media assets are managed by multiple users. The **BDstor-3610E** scales from a base thirty (30) twelve-disc cartridge unit with (2) **BDstor fibre-channel** optical drives, providing 45TB's of archival storage space, modularly scaling up to a maximum of twenty-two (22) **BDstor fibre-channel** drives, 535-cartridges, providing 802TB capacity in a standard 42U rack.

- 50+Year Rated Enterprise-grade Media - Write Once (WORM) & Rewritable (300MB/600MB/1.2TB/1.5TB)
- Virtually future-proof, data migration-free solution
- High-performance robotic library and drive design to meet Enterprise demanding long-term on/near-line archival storage needs
- Fast random file access with quad laser and fibre-channel performance
- Open platform architecture, Universal Disc Format (UDF) Blu-ray media



- Each 12-disc cartridges holds up to 1.5TB uncompressed data capacity in a single unified volume or multi-volume component
- Simplified asset management with built-in 12-disc cartridge memory for fast media content identification, cartridge tracking and inventory control
- Includes File Manager software license for simple Drag&Drop operation to archive/retrieve files, enabling addition of custom metadata and off-line cartridge/data/file management
- Eco-friendly designed for minimal power usage and CO2 emissions, go Green!
- Call CUC today for more information at (800)874-8807 or (951) 697-5858



Optical Disc Archive

BDstor-3610E



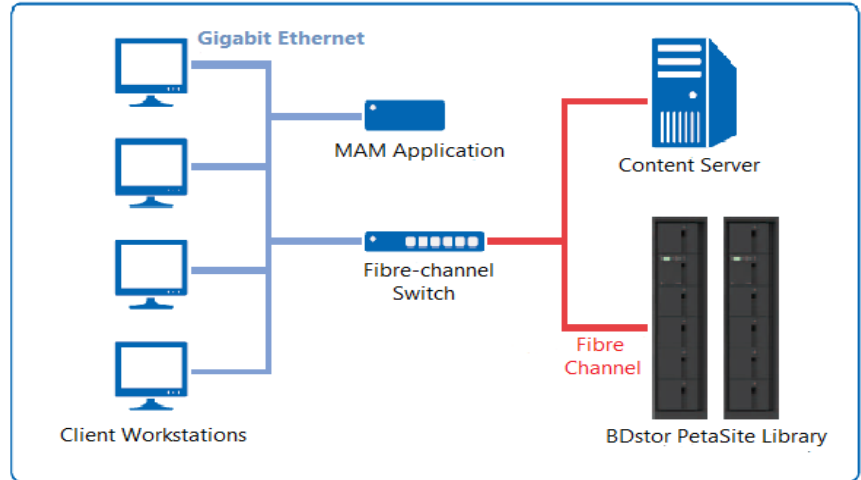
Ideal for Deep and Near-online Archives

The BDstor Optical Archive system is well suited for deep long-term digital media preservation, where data tape does not provide the assurance of Write Once (WORM) and disaster tolerant archive requirements. It can provide a second-copy for near-online or external storage at remote sites, ideal for business continuity/disaster recovery, production and post-production backup and for video, film, stock footage archives or national archives. The system can also be used for news and sports clips for proxy workflows and quick partial file restores, thanks to random access performance.



Optical Disc Archive

Example Configuration



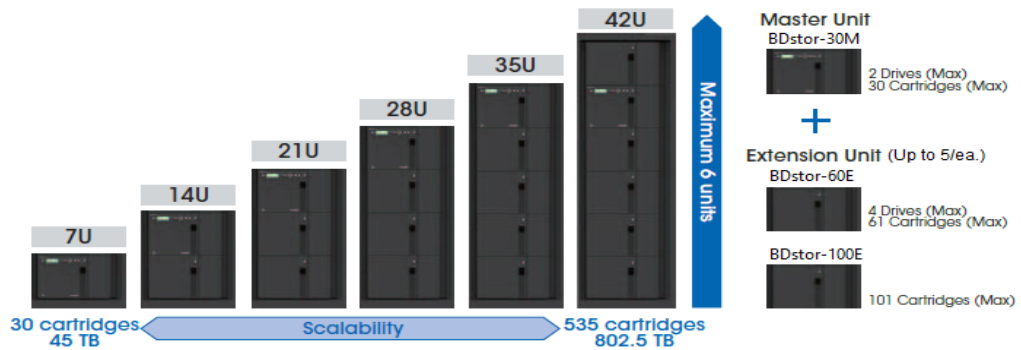
Specifications



1.2TB or 1.5TB
12-disc Removable
Media Cartridge

	BDstor-30M	BDstor-60E	BDstor-100E
Maximum Number of Drives	2	4	0
Maximum Number of Cartridges	30	61	101
Maximum Data Capacity	45 TB	91.5 TB	151.5 TB
Host Interface	Fibre Channel 8Gbps		
Maintenance Interface	Gigabit Ethernet		
Power Requirements	100 V AC to 240 V AC, 50 Hz/60 Hz		
Power Consumption (Per Unit)	312 W	300 W	-
Operating Temperature	41°F to 95°F (5°C to 35°C)		
Operating Humidity	20% to 80% (relative humidity)		
Weight	66 lb 2.2 oz (30 kg) (not including drive units and cartridges)		
Dimensions (W x H x D)	17 5/8 x 12 1/4 x 37 1/8 inches (445 x 308 x 940 mm) (excluding protrusions)		

Flexible System Expansion



Computer Upgrade Corporation

2220 Eastridge Ave. Bldg. T * Riverside, California 92507
800.874.8807 / 951.697.5858 www.cucsolutions.com